



* All images are for illustrative purposes only.

Commercial TV LS341H (EU)

Essential Commercial TV with Commercial Grade Stand

The LS341H Commercial TV series provides hotels with an economical TV solution with Pro:Centric V for two-part solution (with an external set-top box). It delivers crisp Full HD images by using a stylish commercial-grade stand.



Pro:Centric Hotel
Management Solution



Quick Menu



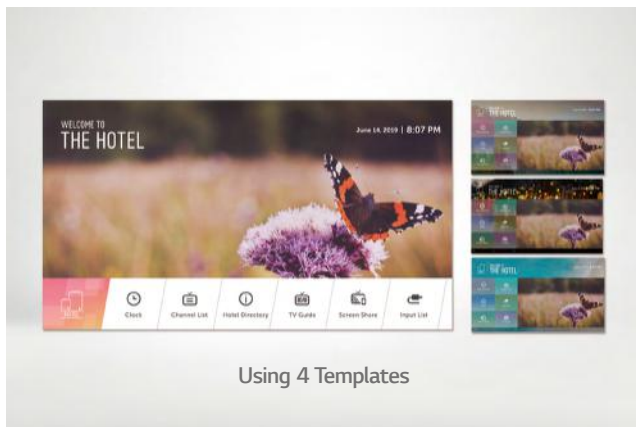
Simple Content
Management

hello@infopolis.hu

 **infopolis**

<https://infopolis.hu>

VALUE ADDED FEATURES



Quick Menu

Enjoy LG's easy solution of menu home. Now LG provides the new Quick menu (Ver 3.0), making it more easy and user-friendly than ever.



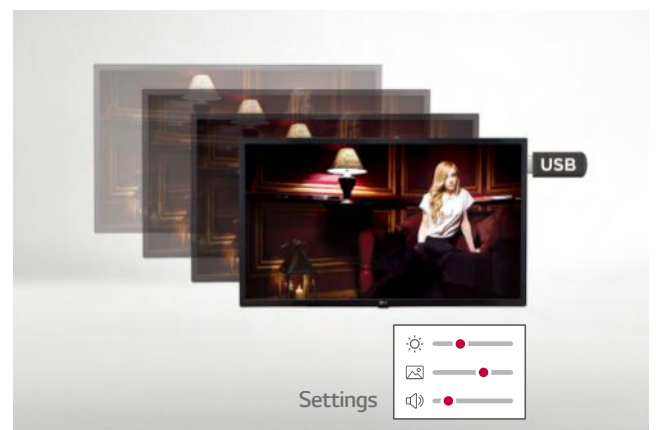
Hotel Mode (Public Display Mode)

From channel selection to volume level, you can control the TV settings in business areas. Public Display Mode also enables you to restore default settings, as required, on the TVs.



Welcome Video / Screen

With the capability to display several images, Commercial Lite TVs allow for a greater variation of greeting messages in hotel rooms which make customers feel more welcome and cared for.



USB Data Cloning

USB data cloning makes managing multiple displays more efficient for optimal operation. No need to set up each display one by one, data can be copied to a USB in one display and will be distributed to other displays through a USB plug-in.

VALUE ADDED FEATURES



Commercial Swivel Stand

Expand the range of comfort for guests with a commercial grade stand. This allows guests to watch the TV from any angle. Also, for security purposes, the stand may be secured to its table.



External Speaker Out

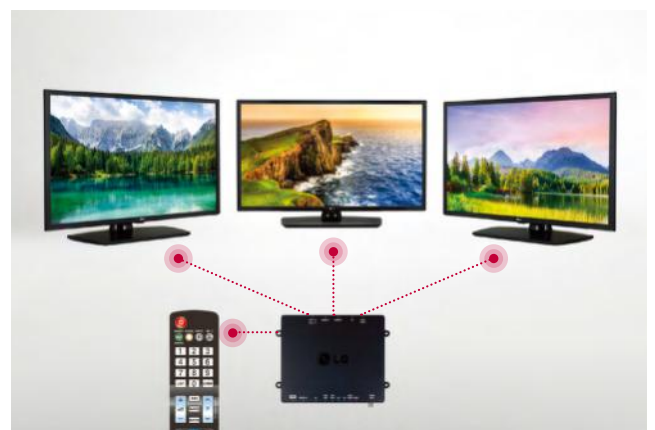
Enhance the entertainment experience with an additional speaker. Guests can listen and control the TV audio from anywhere, even from restrooms.

SIMPLE & EFFECTIVE MAINTENANCE



Diagnostics

The TV stores diagnostic data, which can be saved to a USB memory device, thus enabling service engineers to analyze the data and identify technical issues quickly and easily.



IR Out

Using the interactive set-top box, all LG TVs can be controlled with a single remote control.

SPECIFICATIONS

32"

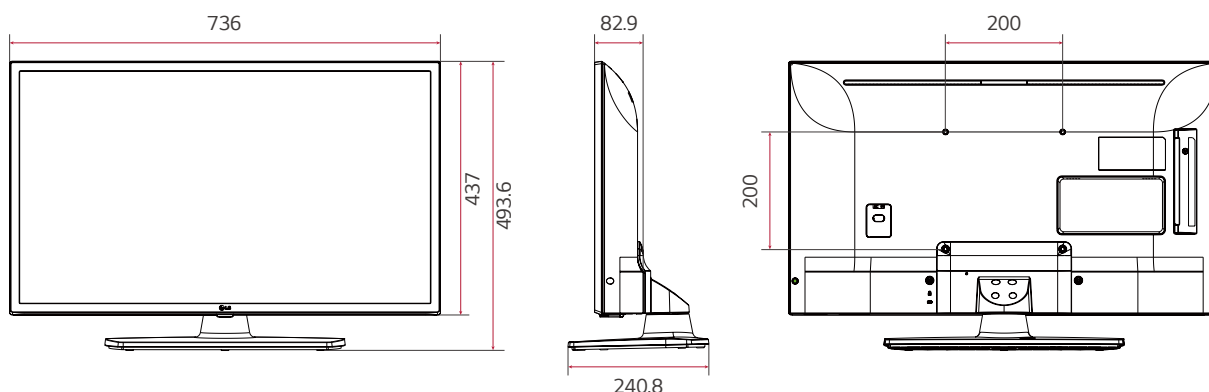


32LS341H (EU)

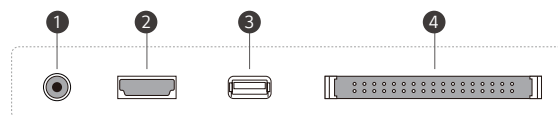
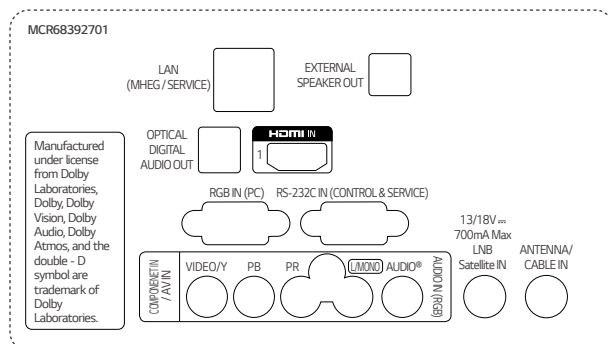
Design	Stand Type	1 Pole (Swivel)
	Front Color	Ceramic BK
Display	Inch	32"
	Resolution	1,920 × 1,080 (FHD)
Solution	Pro:Centric V, Quick Menu	

DIMENSION

(unit: mm)



CONNECTIVITY



- ① H/P OUT
- ② HDMI IN
- ③ USB IN
- ④ PCMCIA CARD SLOT

* Dimensions & Jack Panels (Rear/Side) may differ from the above image, so please contact the LG sales team to verify before ordering.



Download
LG C-Display+
Mobile App

Google Play Store

- www.lg.com/global/business/information-display
- www.youtube.com/c/LGCommercialDisplay
- www.facebook.com/LGInformationDisplay
- www.linkedin.com/company/lginformationdisplay
- twitter.com/LG_ID_HQ

LG may make changes to specifications and product descriptions without notice.
Copyright © 2020 LG Electronics Inc. All rights reserved.
"LG Life's Good" is a registered trademark of LG Corp.
The names of products and brands mentioned here may be the trademarks of their respective owners.

